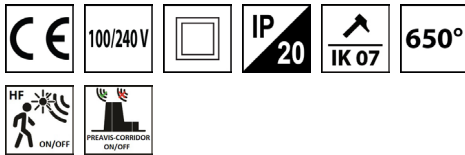


Hyfrequency sensor on/off and corridor function to be integrated inside luminaire...



DETH16V / HT18V-I / HT24V



**WARRANTY & COMPLIANCY**

Life time	50000hrs
Warranty	3 ans
CE marking	CE
Norms	2014/53/UE
Compatible surface inflammable	F

**ACCESSORIES**

Other options	Push
---------------	------

**COMPATIBILIRT**

This sensor is install in this follow product family	Ref «PRE/COR»
	- PHOBOS
	- DEIMOS
	- TITAN
	- RHEA

**GENERAL SPECIFICATION**

Product	Détecteur HF + Driver
Family	DETECT HF PREAVIS
Voltage supply	AC100-240V +/-6% 50/60Hz
Operating temperature range Ta	-20/+50 °C
Life time @ 25°C	50000hrs
Cycle on/off	∞
Driver defective rate @ 5000hrs	0,5%
Sensor mode	Hyprefrequence 5.8GHz
Sensor function	HF Présence et dual luminosité
Body material	Polycarbonate
Seting up interface	Dip-Switch
Installation	Integrated inside fixture
Power supply and connection	Push connector
Detection area	Max H3xDia10m (plafonnier) Max L10m (applique)
Accessories	Mounting fixation set
Maintenance & cleaning	Antistatic tissu; Humid tissu
Remark	Setting by push button

**TECHNICAL DATA**

Reference	Max Power (W)	Intensity cap (W)	Vout (V)	Capacity Max (W)	Standby (W)	Color	Fixation distance (mm)	Dimensions (mm)
DETH16V	16	300-350	24-52	7-16W	<0.7W	Blanc	65	67.8x62.6x32.2

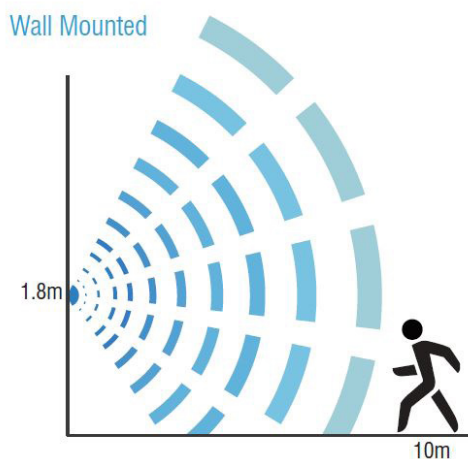
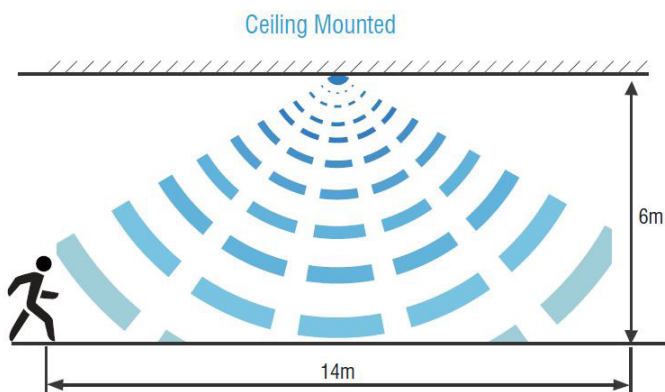
**SENSOR SETTING**

Référence	Timing	Distance	Luminosity	Standby timing	Low level luminosity
DETH16V	5-90sec-5-10mins	5-10m	2-10-50-2000lx	0-10sec-10mins/∞	10%-30%

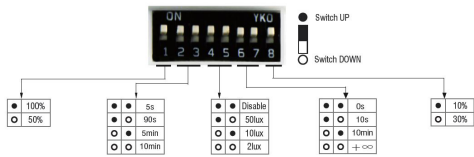
**DIMMING MANAGEMENT**

Référence produit	Dimming	Protocole
DETH16V	3 level: 10%-30%-100%	Veille, preavis & fonction corridor

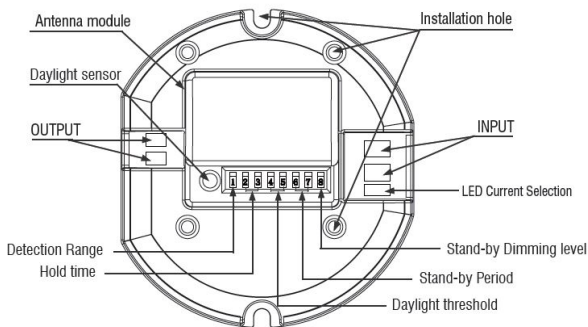
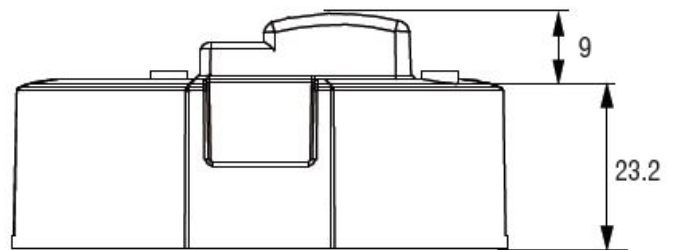
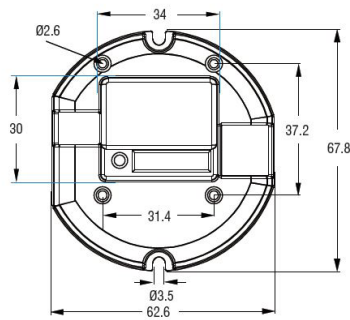
**DETECTION AREA**



ACCESSORIES



GRAPHICS



WIRING DIAGRAMS

Cablage Maître

