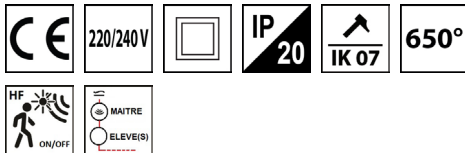
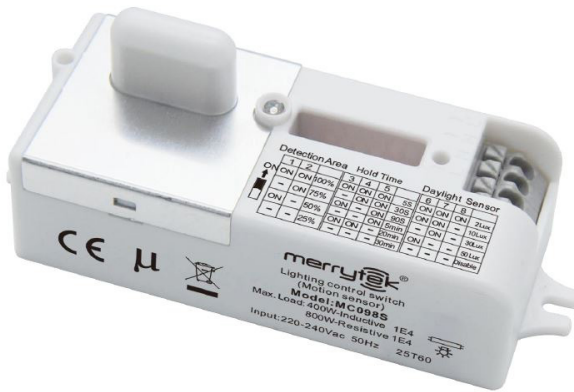


Hyfrequency sensor to be integrated inside linear luminaire...



## WARRANTY & COMPLIANCY

Warranty	2 ans
CE marking	CE
Norms	2014/53/UE
Compatible surface inflammable	F

## ACCESSORIES

Other options	Push
---------------	------

## COMPATIBILIRT

THIS sensor is install in this follow product family	DETECT HF Ref «DET» - DRAKKAR DETECT HF
--	--

## GENERAL SPECIFICATION

Product	Détecteur HF
Family	DETECT HF LINEAIRE DETMC098S
Voltage supply	AC220-240V +/-6% 50/60Hz
Operating temperature range Ta	-20/+35 °C
Life time @ 25°C	50000hrs
Cycle on/off	∞
Driver defective rate @ 5000hrs	0,5%
Sensor mode	Hyperfrequence 5.8GHz
Sensor function	HF Présence et luminosité
Body material	Polycarbonate
Seting up interface	Dip-Switch
Installation	Integrated inside fixture
Power supply and connection	4 Connectors Push (L, N, N, L')
Detection area	Max H6xDia10m (plafonnier) Max L10m (applique)
Accessories	Mounting fixation set
Maintenance & cleaning	Antistatic tissu; Humid tissu
Remark	Setting by push button

**TECHNICAL DATA**

Reference	Capacity Max (W)	Standby (W)	Color	Fixation distance (mm)	Dimensions (mm)
DETCM098S	400W	<0.5W	Blanc	85	92x34x35

**SENSOR SETTING**

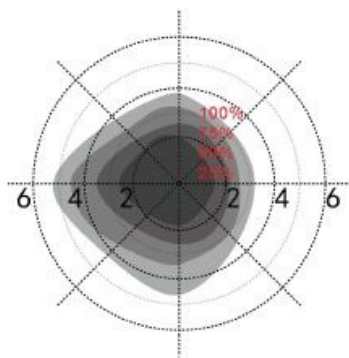
Référence	Timing	Distance	Luminosity
DETCM098S	5-90sec-5-20-30min	2-5-8-10m	2-10-50-2000lx

**DIMMING MANAGEMENT**

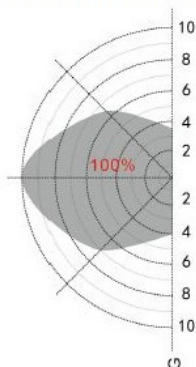
Référence produit	Dimming	Protocole
DETCM098S	-	on/off

**DETECTION AREA**

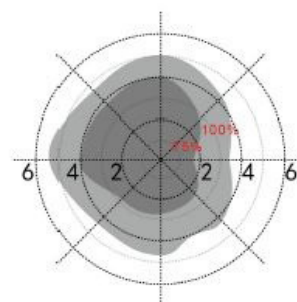
Plafonnier (m) 25/50/75/100%  
Hauteur de l'installation 3m



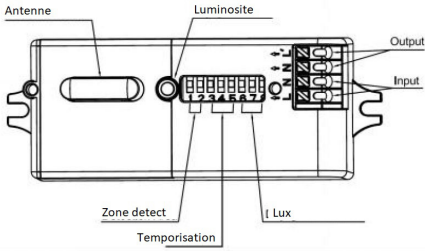
Applique (m)  
Hauteur de l'installation 2m



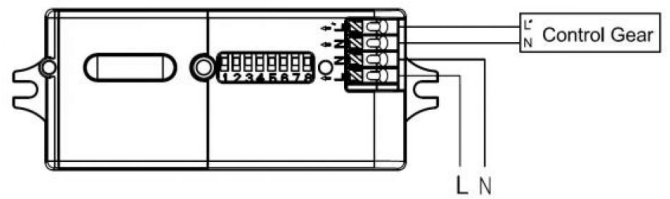
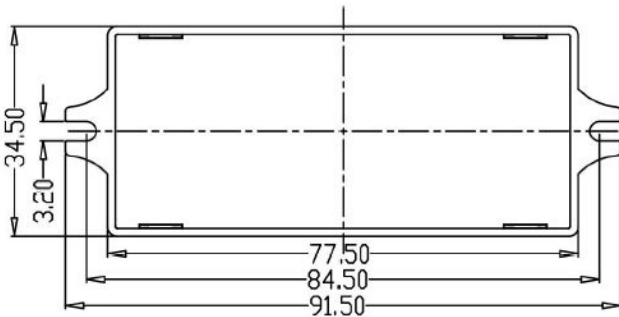
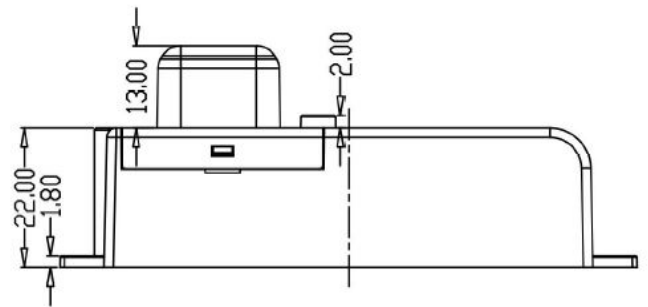
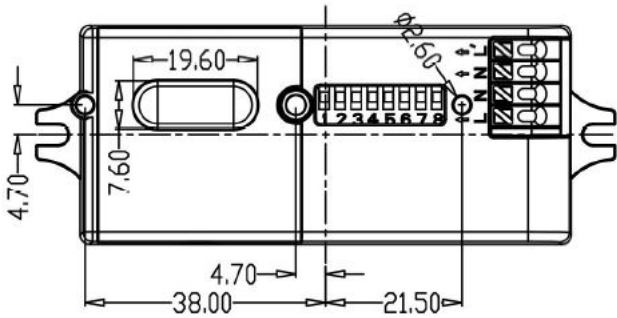
Plafonnier (m) 75% et 100%  
Hauteur de l'installation 6m



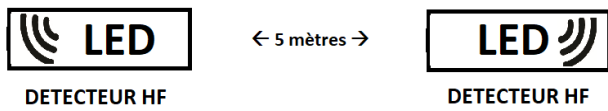
ACCESSORIES



GRAPHICS



WIRING DIAGRAMS



Cablage Maitre - eleve(s)

