

Rapid IP68 cable gland 2 entry with screw male & female connector for waterproof fitting and junction box...



#### WARRANTY & COMPLIANCY

Life time	hrs
Warranty	
CE marking	CE
Norms	2014/53/UE
Compatible surface inflammable	F

#### COMPATIBILIRT

This sensor is install in this follow product family	MARS ASYM
--	-----------

#### GENERAL SPECIFICATION

Product	Connecteur
Family	TENRAD
Voltage supply	AC300V +/-6% 2
Operating temperature range Ta	-35/+55 °C
Life time @ 25°C	hrs
Cycle on/off	
Driver defective rate @ 5000hrs	0,5%
Sensor mode	0.5-1.5mm2
Sensor function	
Body material	Polyamide
Seting up interface	
Installation	
Power supply and connection	Screw 2/3P max 6A
Detection area	-
Maintenance & cleaning	H2O; Antistatic tissu
Remark	Screw 2P Screw 2P N, L & L' screw 3P max 16A

## TECHNICAL DATA

Reference	Capacity Max (W)	Color	Fixation distance (mm)	Dimensions (mm)
TENRADB2P	-	Gris	M16	57x22
TENRADB2PDET	-	Gris	M16	57x22
TENRADB3L	-	Gris	M16	57x22
TENRADB3P	-	Gris	M16	57x22
TENRADG2P	-	Gris	M16	57x22

## SENSOR SETTING

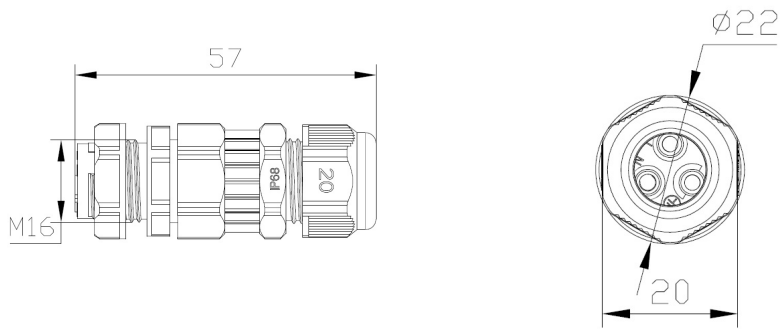
Référence
TENRADB2P
TENRADB2PDET
TENRADB3L
TENRADB3P

## DIMMING MANAGEMENT

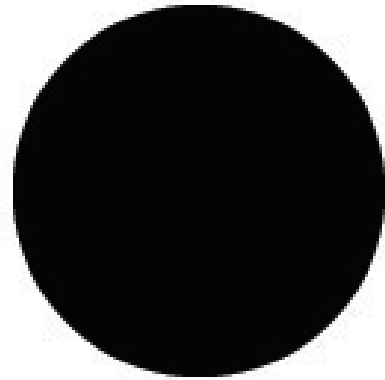
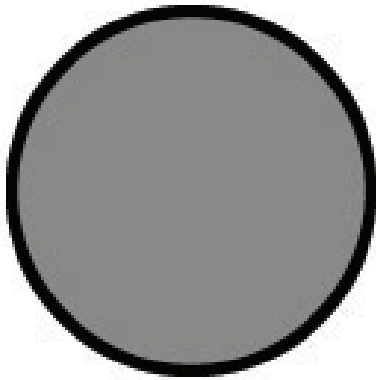
Référence produit	Dimming	Protocole
TENRADB2P	-	on/off
TENRADB2PDET	-	on/off
TENRADB3L	-	on/off
TENRADB3P	-	on/off
TENRADG2P	-	on/off
TENRADG2PDET	-	on/off
TENRADG3L	-	on/off
TENRADG3P	-	on/off



## ACCESSORIES



## GRAPHICS



## WIRING

