

# NOTICE D'UTILISATION

# TOP /R

• Directions for use • Manual de instrucciones

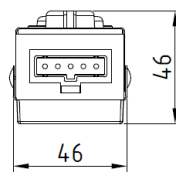
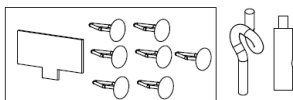
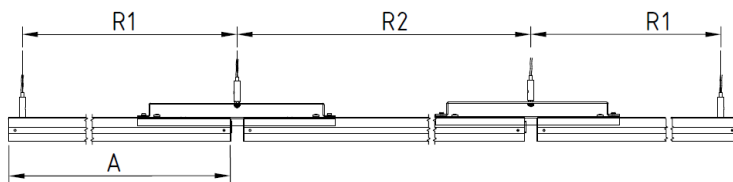


**LED**

**IP 20**

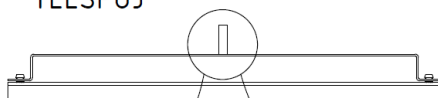
**220-240V  
50-60Hz**

TOP	A mm	R1 mm	R2 mm	X mm
TOP M /R	1136	1037	1134	1014
TOP L /R	1417	1208	1415	1295
TOP XM /R	855	757	853	733



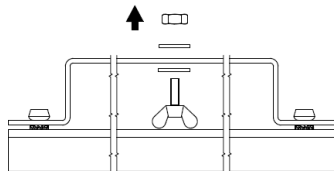
TELSPOJ

1



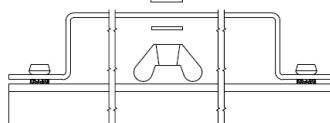
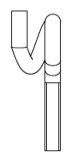
ZH21

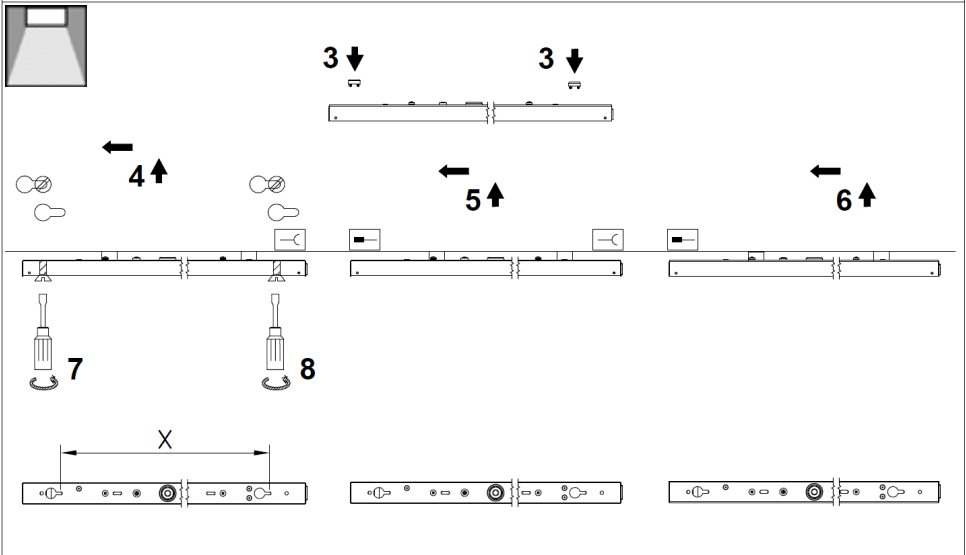
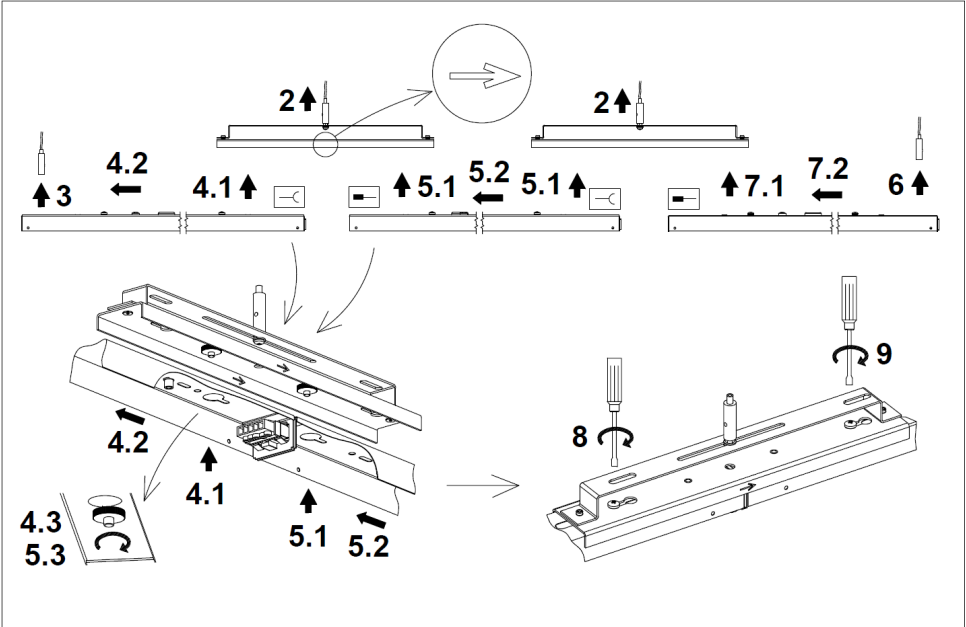
1.a

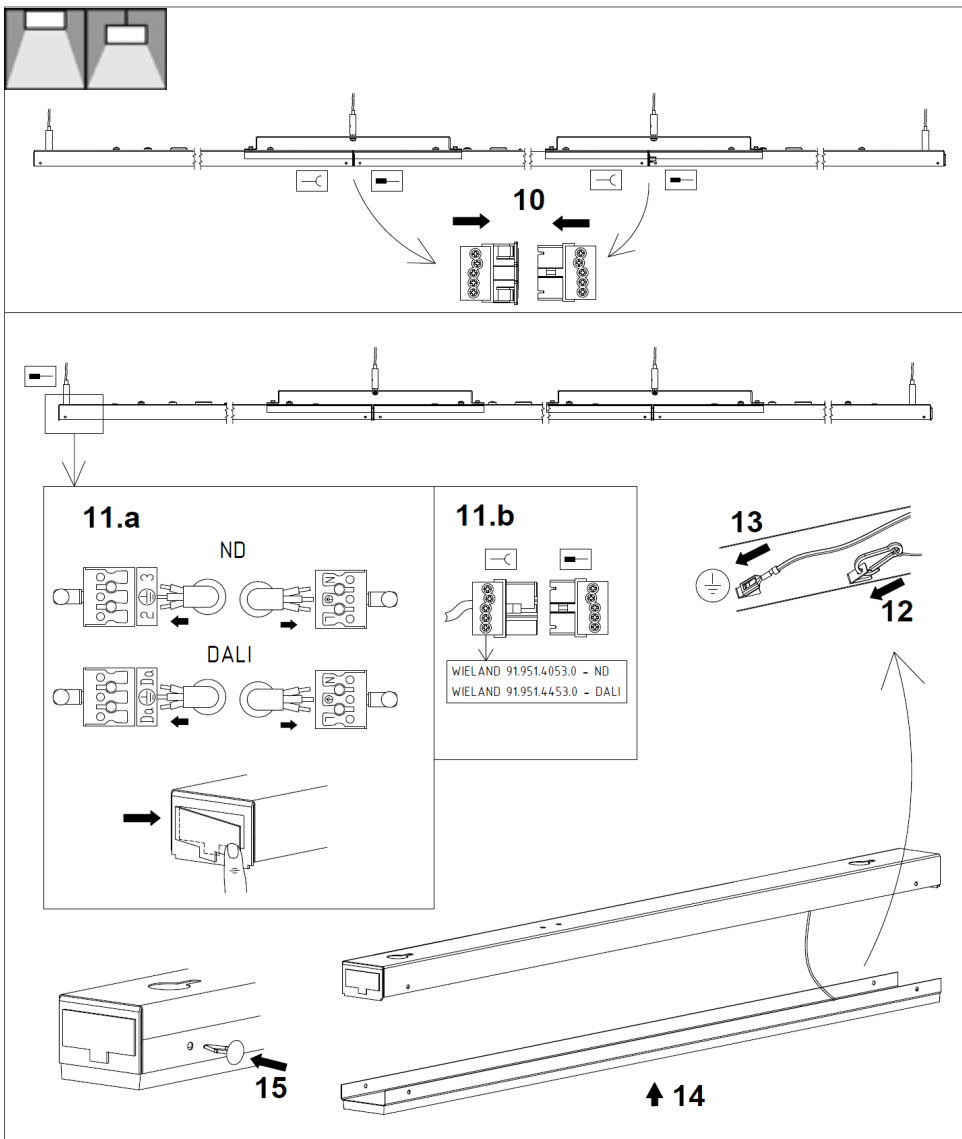


TELHAK

1.b







Attention! The lighting unit may only be assembled by a skilled firm or by person with electrotechnical qualification. The light source of this luminaire is not replaceable, when the light source reaches its end of life the whole luminaire should be replaced.

The warranty period of this product is 24 months from the purchase date. The warranty doesn't cover damage caused by improper handling.

Attention! les luminaires doivent être posés par des sociétés spécialisées ou par des personnes compétentes ayant le diplôme d'électrotechnicien.