

Rapid IP68 junction box 2 entry with screw connector for waterproof fitting and junction box...



PRODUCT COLOR



LIFE TIME AND WARRANTY

Warranty	2 ans
Compliance marking	CE
Inflammable surface compliancy	F

OPTIONS

Color available	Noir [B]; Gris [G]
Cable compatibility	Flexible & rigid

Product family compatibility	SONG TERA GIGA 2 GOLDO 2 SIRIUS 2 CAMUS ASYM CAMUS HYPER HYPER PRO SOLA SOLIS NEMA 2
------------------------------	---

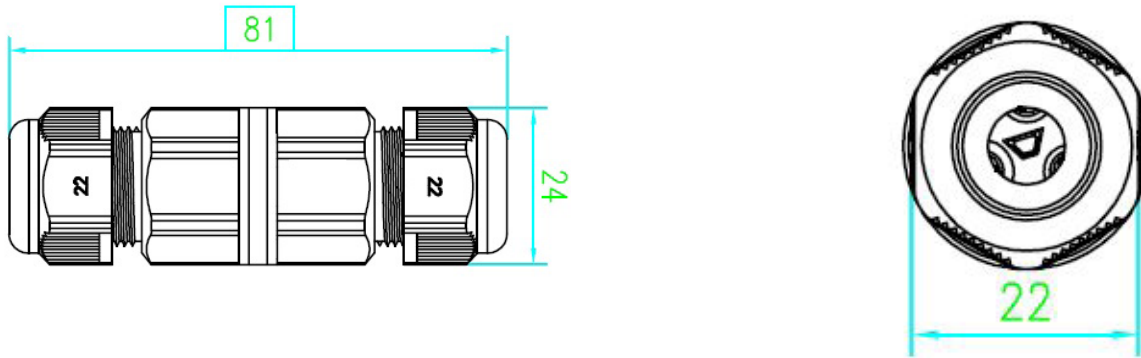
GENERAL SPECIFICATION

Family	PRORAD
Nominal voltage	400V
Rated surge voltage	4Kv
Operating temperature range Ta	-35/+65 °C
Insulation material	Polyamide
Contact material	Copper, silver plated
Rubber material	Silicone
Power supply and connection	Screw 3P max 16A
Connection point per pole	1x hole pole
Gland tightening torque	2,5nmNm
Strip lenght (outter insulation)	15-20mm
Strip lenght (inner insulation)	6-8mm
Maintenance	H2O; Antistatic tissu

TECHNICAL DATA

Reference	Rated current (A)	Pole and connection	Conductor	Coulor	Dimensions (mm)
PRORAD	16	3P vis	0.75-1.5mm ²	Noir	81x22
PRORAD4P	16	3P vis	0.75-1.5mm ²	Noir	81x22

2D drawing



Instruction paper

