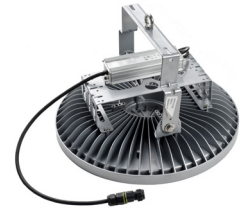


Rapid IP68 junction box 2 entry with screw male & female connector for waterproof fitting and junction box...



PRODUCT COLOR



LIFE TIME AND WARRANTY

Warranty	2 ans
Compliance marking	CE
Inflammable surface compliancy	F

OPTIONS

Color available	Noir [B]; Gris [G]
Cable compatibility	Flexible & rigid
Product family compatibility	GIGA 2 TERA HYPER PRO

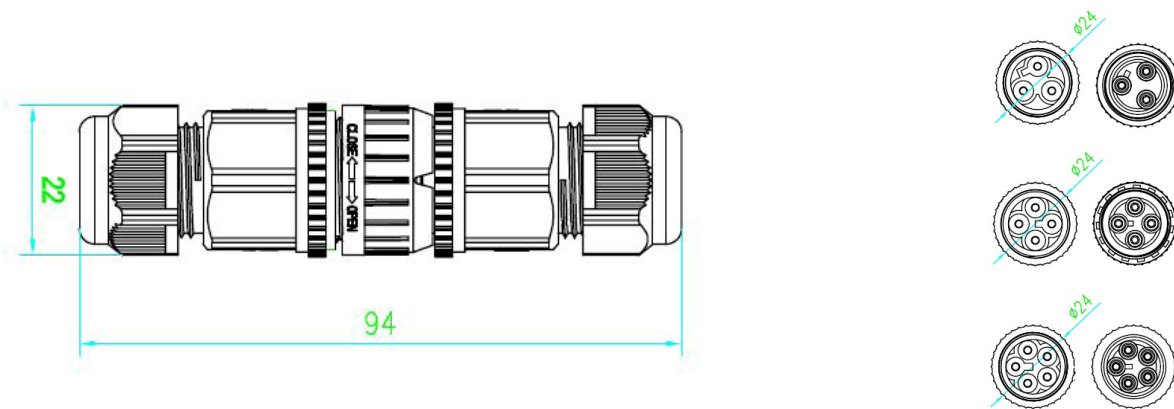
GENERAL SPECIFICATION

Family	FLEXRAD
Nominal voltage	400V
Rated surge voltage	4Kv
Operating temperature range Ta	-35/+65 °C
Insulation material	Polyamide
Contact material	Copper, silver plated
Rubber material	Silicone
Power supply and connection	screw 3/5P max 16A
Connection point per pole	1x hole pole
Contact type (pluggable connector)	Male/Female
Gland tightening torque	2,5nmNm
Strip lenght (outter insulation)	20-25mm
Strip lenght (inner insulation)	6-8mm
Maintenance	H2O; Antistatic tissu
Remarks	Male & female connector

TECHNICAL DATA

Reference	Rated current (A)	Pole and connection	Conductor	Color	Dimensions (mm)
FLEXRAD	16	3P vis	0.75-2.5mm ²	Noir	94x24
FLEXRAD4P	16	4P vis	0.5-2mm ²	Noir	94x24
FLEXRAD5P	16	5P vis	0.5-1.5mm ²	Noir	94x24

2D drawing



Instruction paper

