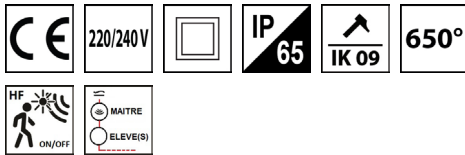


Hyfrequency sensor special high ceiling for highbay application...



WARRANTY & COMPLIANCY

Warranty	5 ans
CE marking	CE
Norms	2014/53/UE
Compatible surface inflammable	F

ACCESSORIES

Management interface (remote)	Remote control [PROGIRMC54V]
Other options	Push et commande IR

COMPATIBILIRT

This sensor is install in this follow product family	PREAVIS HF Ref «PRE»
	DETECT HF «DET»
	- GIGA 2
	- GIGA
	- GOLDO 2
	- GOLDO
	- TERA

GENERAL SPECIFICATION

Product	Détecteur HF
Family	DETECT HF IP65 TELE DETMC054V
Voltage supply	AC100-240V +/-6% 50/60Hz
Operating temperature range Ta	-20/+35 °C
Life time @ 25°C	50000hrs
Cycle on/off	∞
Driver defective rate @ 5000hrs	0,5%
Sensor mode	Hyperfrequency 5.8GHz
Sensor function	Présence et luminosité
Body material	Polycarbonate
Seting up interface	Dip-Switch & remote
Installation	Integrated inside fixture
Power supply and connection	Cable Max 2A
Detection area	Max H15m (plafonnier)
Accessories	Mounting fixation set
Maintenance & cleaning	H2O; Antistatic tissu
Remark	Compliant with remote programmer [PROGIRSMC054V] Compatible ON/OFF et 1-10V

TECHNICAL DATA

Reference	Capacity Max (W)	Standby (W)	Color	Fixation distance (mm)
DETCM054V	800W	<0.7W	Blanc	90

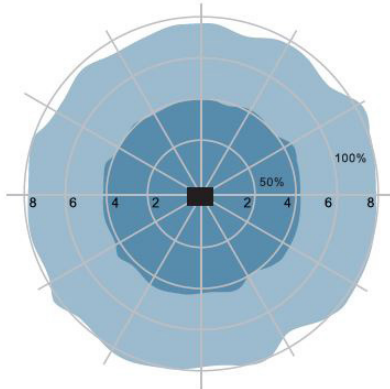
SENSOR SETTING

Référence	Timing	Distance	Luminosity	Standby timing	Low level luminosity
DETCM054V	5-30-1-3-5-20-30min	6-15m	50-100-200-2000lx	5sec-5-10-30-60min/∞	10-20-30-50%

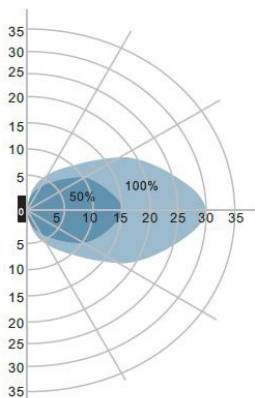
DIMMING MANAGEMENT

Référence produit	Dimming	Protocole
DETCM054V	-	ON/OFF & 1-10V

DETECTION AREA



Ceiling mounting pattern (Unit: m)

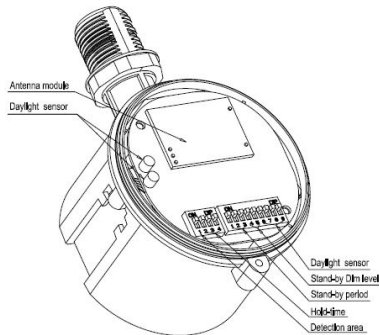
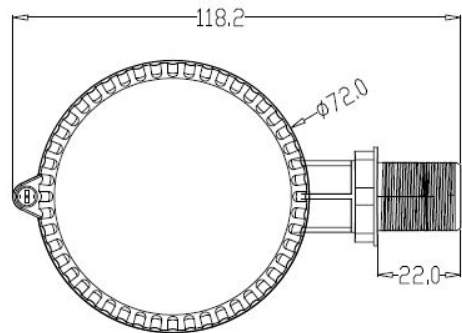
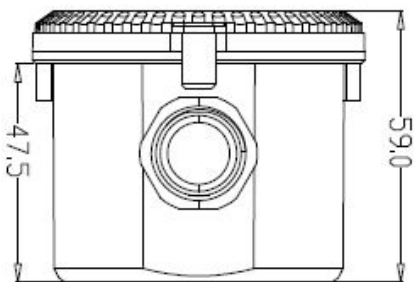


Wall mounting pattern (Unit: m)

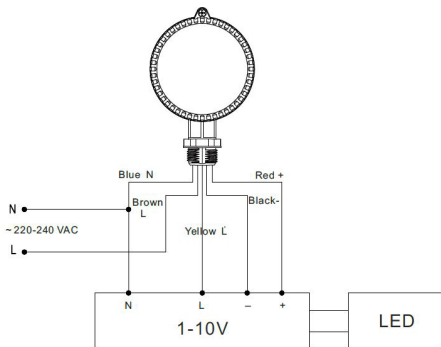
ACCESSORIES



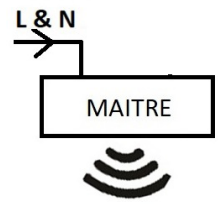
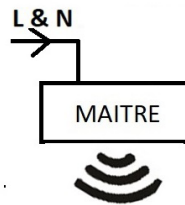
GRAPHICS



WIRING DIAGRAMS



Cablage Maître



MAITRE (avec détecteur)

ELEVE - Nombre d'élève(s) voir tableau « gestion détecteur »

